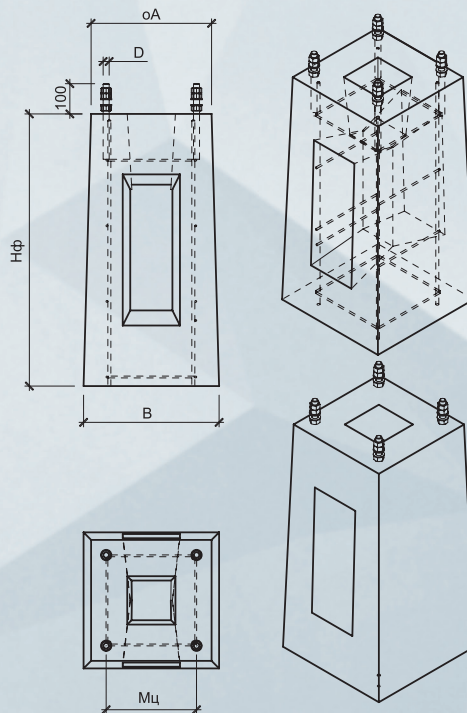


# FOUNDATION BLOCKS

TY BY 191039087.010-2018

## FOUNDATION BLOCK $\Phi$ B-2-L



## FOUNDATION BLOCK $\Phi$ B-2-L

Marking	Block imensions, A/B, mm	Depth of occurrence $H\phi$ , mm	Stud diameter, D mm	Axle base of studs $M\zeta$ , mm	Support height, m	Minimum concrete class
$\Phi$ B-2-L-1200	300/350	1100	16	180	до 5	C16/20
$\Phi$ B-2-L-1500(1)	400/450	1400	20	270	от 6 до 10	