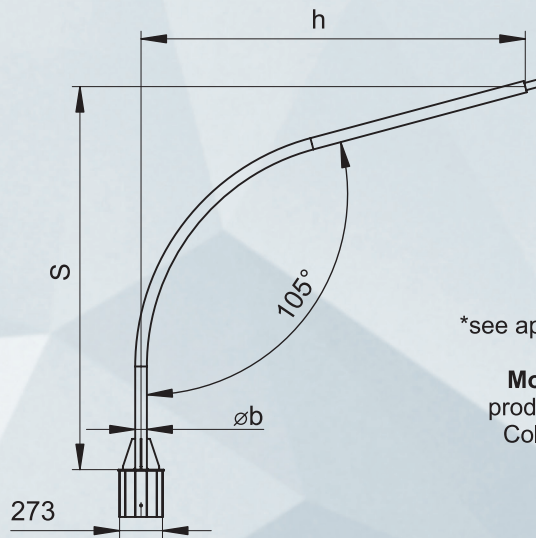
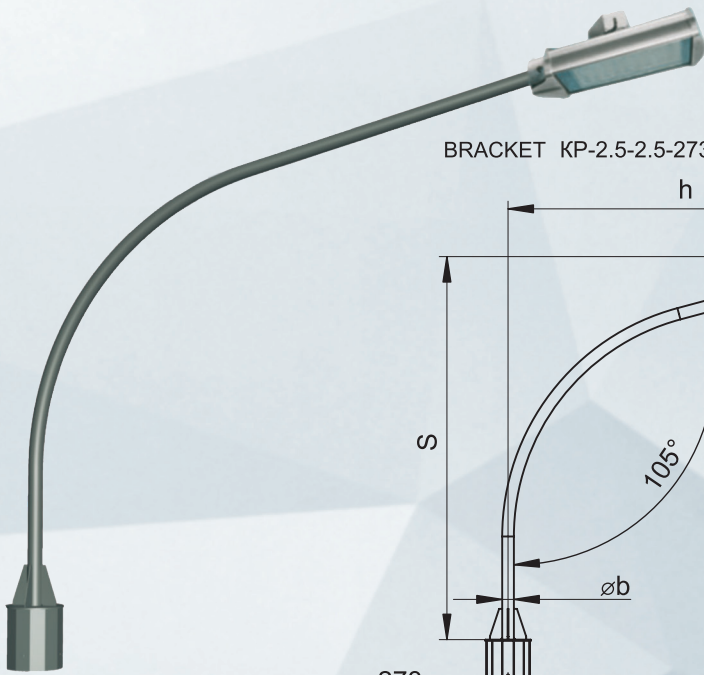


TY BY 191039087.004-2011

BRACKET KP-2.5-2.5-273/76



**Designation**

Designed for lamp installation on reinforced concrete supports.

**PROTECTIVE COATING**

**Model K(xu)** – anti-corrosion oldizinc™ and decorative coating.

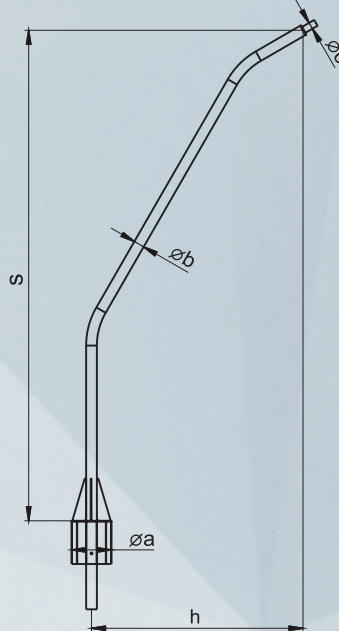
\*see application process and description on page 2

**Model K(o)** – hot zinc coating. Hot zinc coated products can be painted upon customer request. Color on request (according to the international RAL palette).

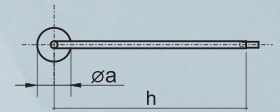
**EQUIPMENT:**

Fixing elements

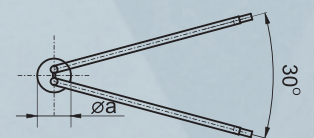
BRACKET KP-1.5-3.9-273/57



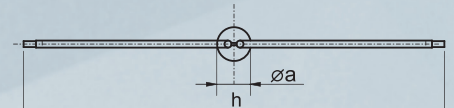
BRACKET KP-1.5-3.9-273/57



BRACKET KP-1.5-3.9-273/57-30



BRACKET KP-3.0-3.9-273/57-180



Bracket Type	h, MM	s, MM	Øa, MM	Øb, MM	Øc, MM	Weight kg
KP-2.5-2.5-273/76	2500	2500	273	76	48	59.69
KP-2.5-2.5-273/76-30 <sup>0</sup>	2500	2500	273	76	48	89.23
KP-2.5-2.5-273/76-180 <sup>0</sup>	2500	2500	273	76	48	89.23
KP-1.5-3.9-273/57	1500	3900	273	57	48	35.77
KP-1.5-3.9-273/57-30 <sup>0</sup>	1500	3900	273	57	48	57.63
KP-3.0-3.9-273/57-180 <sup>0</sup>	3000	3900	273	57	48	57.63