

TY BY 191039087.004-2011

Designation

Metal lighting support for streets, squares, parks, gardens

DESIGN:

Steel support:
OM7 – buried;
OM7a-anchor;
 Support 3,6 - 4,6 m high

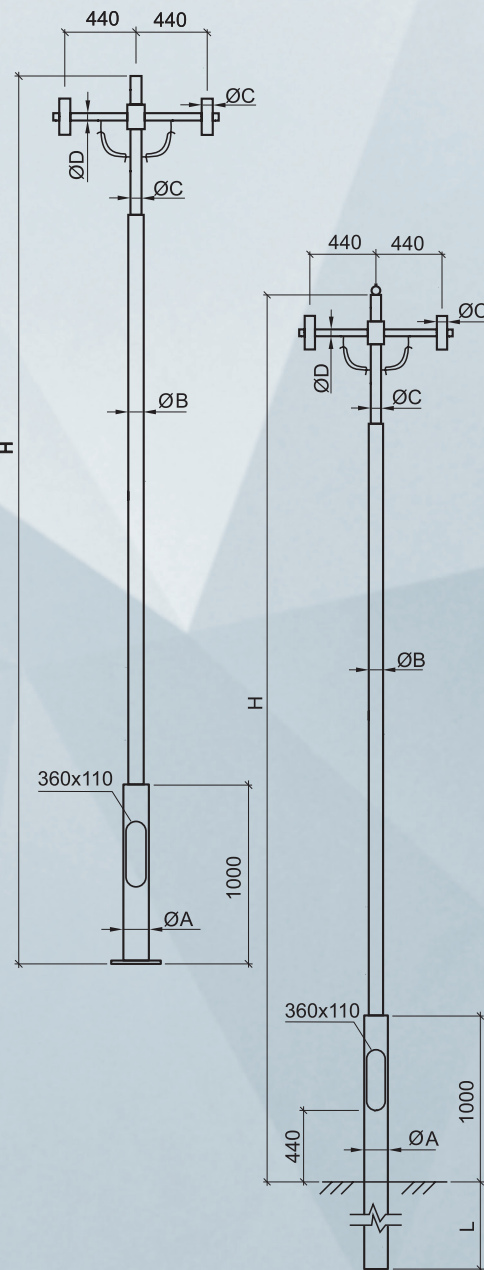
PROTECTIVE COATING

Model OM7(хц) – anti-corrosion oldizinc™ and decorative coating.
 *see application process and description on page 2

Model OM7(о) – hot zinc coating. Hot zinc coated products can be painted upon customer request. Color on request (according to the international RAL palette).

EQUIPMENT:

1. Cable – on request.
2. Entry panel (see pages 104-105) – on request



PARAMETER SHEET OM7a

Type of support	H, м	øA, мм	øB, мм	øC, мм	øD, мм	Anchor	Foundation block	Weight, kg
OM7a-2-3.6-133/89	3,6	133	89	57	48	Ша 20x4x1200(1)	ФБ-2-L-1500(1)	51.64
OM7a-2-4.6-133/89	4,6	133	89	57	48			58.06

PARAMETER SHEET OM7

Type of support	H, м	L, мм	øA, мм	øB, мм	øC, мм	øD, мм	Weight, kg
OM7-2-3.6-133/89	3,6	1200	133	89	57	48	52.59
OM7-2-4.6-133/89	4,6	1200	133	89	57	48	58.95

LOADS ON THE SUPPORT BASE, FOUNDATION BLOCK

Type of support	H, м	Torque, kHm	Axial force, kH	Lateral force, kH
OM7/OM7a	3,6	-0,26	-0,63	0,16
	4,6	-0,42	-0,70	0,19

Note: the load is given without specifying bracket model.