

TY BY 191039087.004-2011

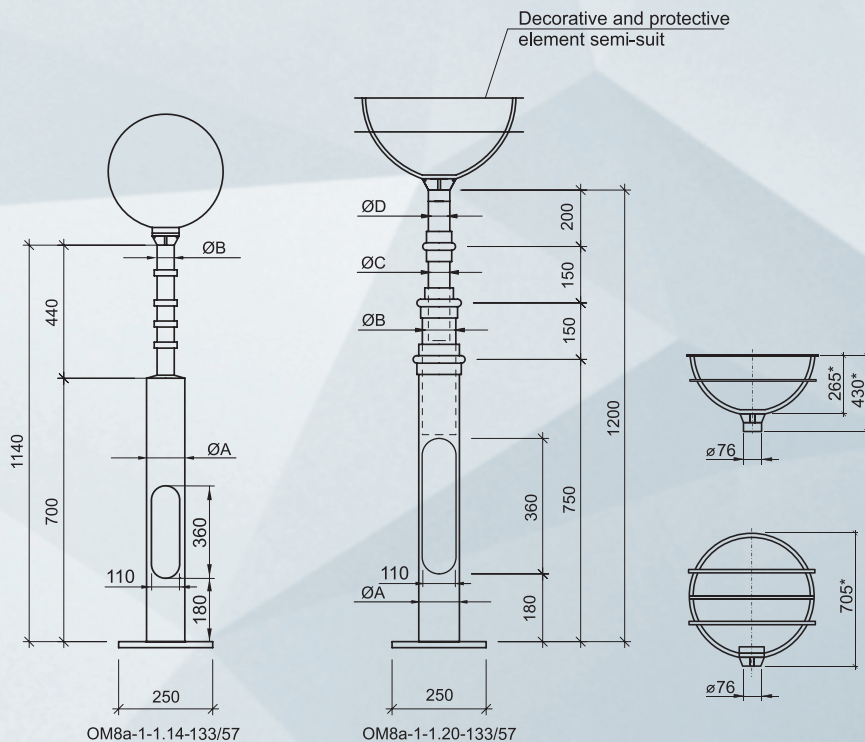
Designation

Decorative support for outdoor areas and open terraces, pavilions, etc.

DESIGN:

Anchor support is made of steel.

Support 1,14 - 1,20 m high



PROTECTIVE COATING

Model OM8(xu) – anti-corrosion oldizinc™ and decorative coating.

*see application process and description on page 2

Model OM8(o) – hot zinc coating. Hot zinc coated products can be painted upon customer request. Color on request (according to the international RAL palette).

EQUIPMENT:

1. Cable – on request.
2. Entry panel (see pages 104-105) – on request.

PARAMETER SHEET OM8a

| Type of support | H, M | øA, MM | øB, MM | øC, MM | øD, MM | Anchor | Foundation block | Weight, kg |
|--------------------|------|--------|--------|--------|--------|-----------------|------------------|------------|
| OM8a-1-1.14-133/57 | 1,14 | 133 | 57 | - | - | Ша 16x4x1200 | ФБ-2-L-1200 | 16.47 |
| OM8a-1-1.20-133/57 | 1,2 | 133 | 108 | 76 | 57 | | | 30 |

PARAMETER SHEET OM8

| Type of support | H, M | L, MM | øA, MM | øB, MM | øC, MM | øD, MM | Weight, kg |
|-------------------|------|-------|--------|--------|--------|--------|------------|
| OM8-1-1.14-133/57 | 1,14 | 1000 | 133 | 57 | - | - | 24.44 |
| OM8-1-1.20-133/57 | 1,2 | 1000 | 133 | 108 | 76 | 57 | 37.98 |

